



Long Operation & Energy Saving  
High Cost Effectiveness



High Intensity UV-LED & Compact Size

Model : **E-40LA-4B**

Same size as conventional product : E-40

Wide Range Radiation UV-LED

Model : **E-40LA-5B**



### Energy Saving

Power consumption reduce more than 80% of conventional product. It can typically operate more than 10,000 hours with no bulb replacement.



### Instantly Light

It can be instantly on with powerful of UV light.



### Safety

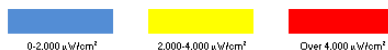
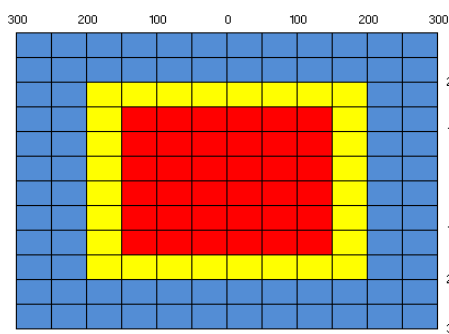
It is very safety to use since the unit does not get too hot.



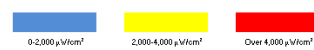
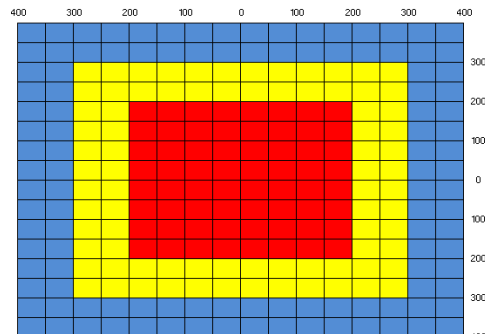
### High UV Intensity

More than 5,000  $\mu\text{W}/\text{cm}^2$  intensity at 500 mm.

### UV Radiation (Ex.)

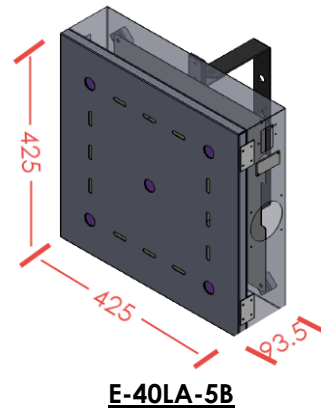
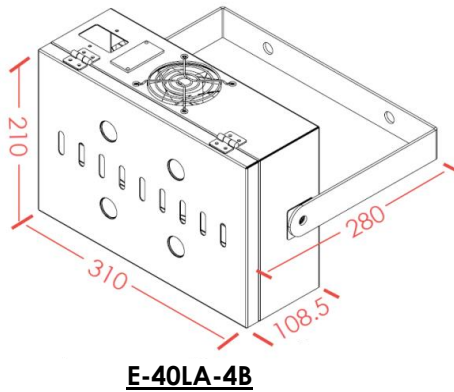


**E-40LA-4B**



**E-40LA-5B**

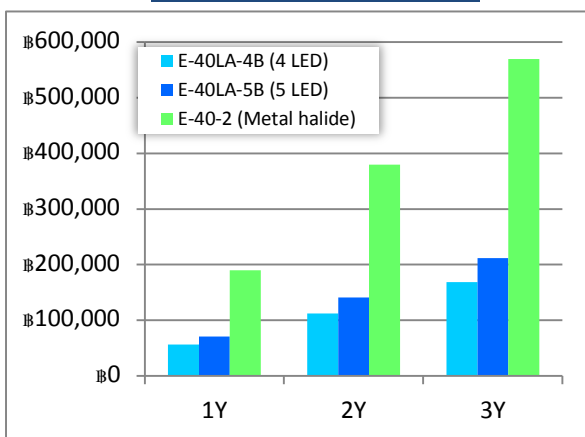
## Dimensions



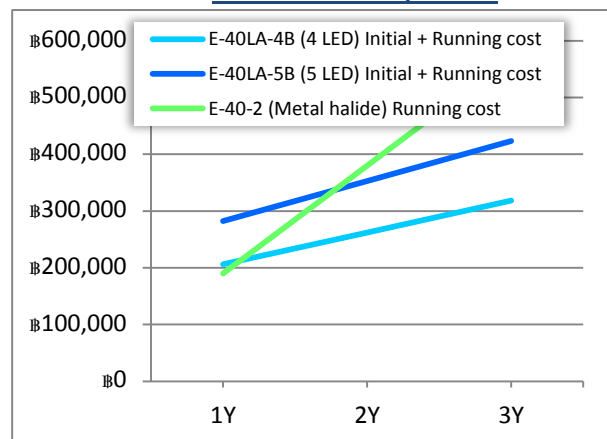
## Specification

| Model  | E-40LA-4B                                       | E-40LA-5B                                       |
|--|---|---|
| Input voltage  | AC 180-240V / 50-60Hz                           |   |
| Power consumption  | 90W (18W for each bulb + fan)                   | 110W (18W for each bulb + fan)                  |
| UV light source  | 4 Bulbs   | 5 Bulbs   |
| Light time to recover  | Instantly on lighting                           |   |
| UV intensity   | Over 5,000 $\mu\text{W}/\text{cm}^2$ at 500 mm. | Over 5,000 $\mu\text{W}/\text{cm}^2$ at 600 mm. |
| Radiation range (over than 2,000 $\mu\text{W}/\text{cm}^2$ ) | 400 x 400 mm. at 500 mm.                        | 600 x 600 mm. at 600 mm.                        |
| Main wavelength  | 365 nm (UV-A)                                   |   |
| Lamp life  | 10,000 hours (representative value)             |   |
| Lamp body cable  | 2 m.  |   |
| Usage environment  | Ambient air temperature : 0-40 °C               |   |
| Size & Weight  | 310L x 210W x 108.5H mm , 3 kg                  | 425L x 425W x 93.5H mm , 8 kg                   |

### Running Cost Comparison



### Total Cost Comparison



\* This cost is calculated from the frequency of usage black light for 28 days / 1 month and 20 hours / 1 day

\* This cost comparison is an estimate. It may differ from the actual numerical value.

Integrated supplier of Non-Destructive Testing and



**MARKTEC**

#### SALES OFFICE

Central City Tower Bangna

TEL:+66(0)2745-7022 FAX:+66(0)2745-7032

#### FACTORY

Gateway City Industrial Estate

TEL:+66(0)38-575050-3 FAX:+66(0)38-575054

More details can be found at web

<http://www.marktecthailand.com>

marktec

search